

Essa Academy  
Bolton, UK



## Specifications

**Project** Essa Academy

**Application** Roof

**Location** Bolton, UK

**Size** 5,800 ft<sup>2</sup> / 540 m<sup>2</sup>

**Architect** Sheppard Robson Architects

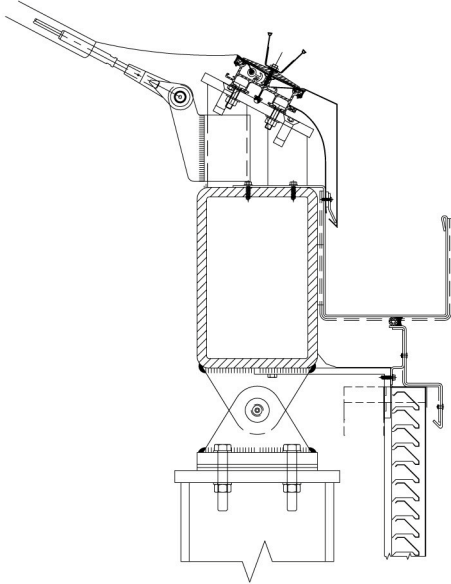
## Novum Systems

### Structural

**AES** Architecturally exposed steel trusses that are media primed and liquid painted provide structural support to the SSM-System roof.

### Membrane

**SSM** Cables provide tension to a clear single layer of ETFE.



## Design Solution

The Atrium roof was developed in response to the clients need to create a cost effective internal courtyard providing a central breakout space. At an early stage Novum preconstruction engineers assessed the cost requirements; and designed an SSM-System ETFE roof supported by AES-System exposed steel and tensioned cables. The system was selected to form the complex pentagon shaped roof for its ability to achieve large spans with minimal steelwork when thermal requirements are not critical to design. This results in a lightweight efficient roof with maximum visual impact.

